

AK wear parts

DW wear parts

DH wear parts

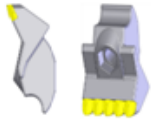
SM wear parts

DZ wear parts

*Waste wood with contaminants*

*Green waste*

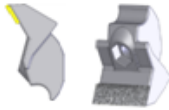
DOPP LOCK  
Flail tip  
Bear Paw



not specified

≈ 150 oh

DOPP LOCK  
Flail tip  
Sprinkle



≈ 100 - 150 oh

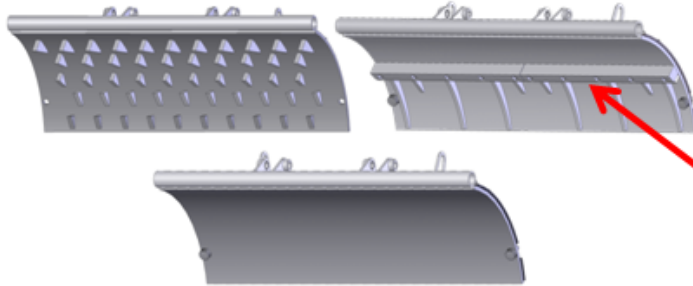
≈ 150 oh

Flail shaft, flail holder



≈ 1000 - 1500 oh – with optimum maintenance 2000 oh possible

Baffle plate



≈ 1000 oh

Impact bar of baffle plate

≈ 500 oh

AK wear parts

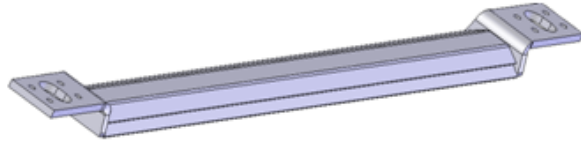
DW wear parts

DH wear parts

SM wear parts

DZ wear parts

Scraper floor bar

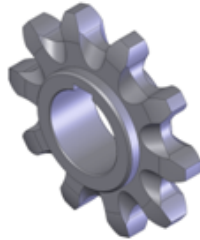


≈ 2500 oh

Scraper floor – roller chain

≈ 2000 oh

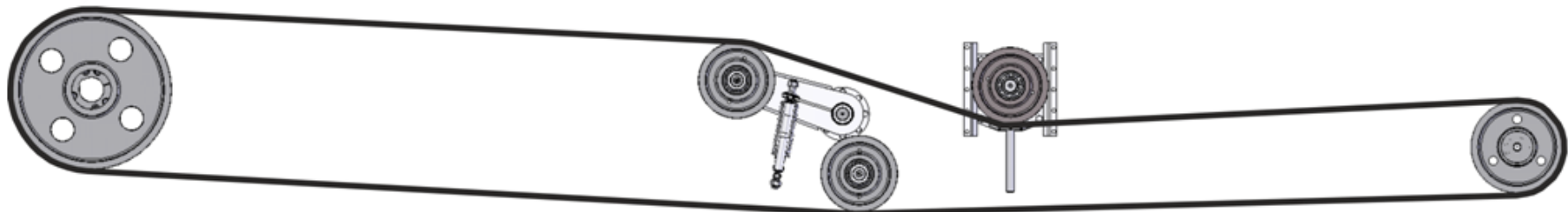
Scraper floor – sprockets



≈ 1000 oh

V-belt drive set for flail drum drive

≈ 3500 oh



AK wear parts

DW wear parts

DH wear parts

SM wear parts

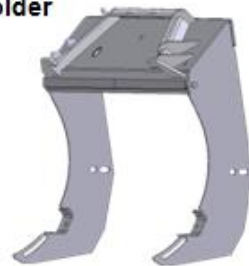
DZ wear parts

Replaceable rear basket grid



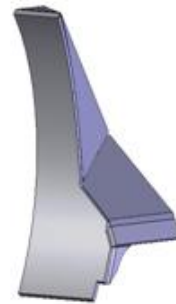
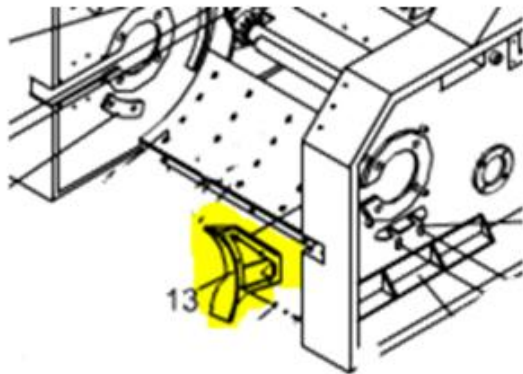
≈ 1000 oh

Replaceable rear basket grid holder



≈ 2000 oh

Material feed



≈ 1500 oh

AK wear parts

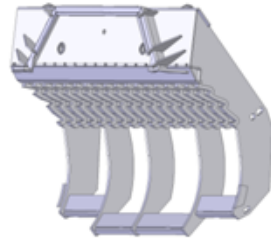
DW wear parts

DH wear parts

SM wear parts

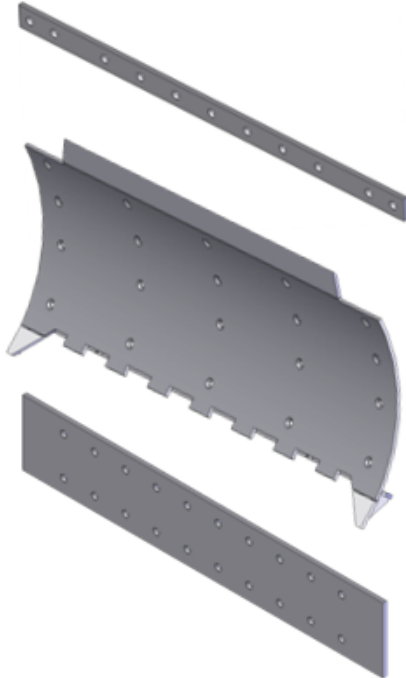
DZ wear parts

Re-shredding comb



≈ 1000 oh

Wear plates, impact bar



≈ 1000 oh